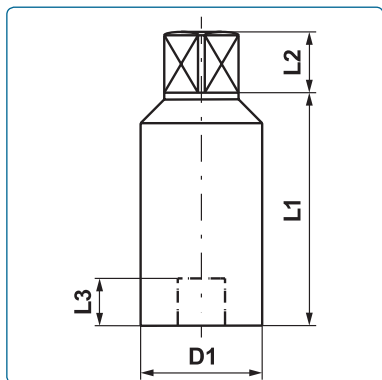


## Accessories Valves



### Adapter

Adapter / blank-adapter to connect actuators in accordance with DIN EN 15081

Connection between actuator and valve  
form-fit and friction-locked connection for transmitting torque

We manufacture in according to your specifications.

**Material:** stainless steel 1.4305 - more materials on request -  
**Connections:** at the valves side square or dihedron; more on request  
at the actuator side axis position parallel or 45°

**Position indicator:** standard; not for blank-adapter

Square SW		L1	ø D1	L3	Order code 001 piece
external	inboard				
09	07	49	20	7	F-A0907001
09	08	49	20	8	F-A0908001
11	07	59	20	7	F-A1107001
11	08	59	20	8	F-A1108001
11	10	59	25	10	F-A1110001
11	12	59	25	12	F-A1112001
11	14	59	30	14	F-A1114001
14	07	59	20	7	F-A1407001
14	08	59	20	8	F-A1408001
14	10	59	25	10	F-A1410001
14	12	59	25	12	F-A1412001
14	14	59	30	14	F-A1414001
14	17	59	36	17	F-A1417001
14	19	59	40	19	F-A1419001
17	10	59	25	10	F-A1710001
17	12	59	25	12	F-A1712001
17	14	59	30	14	F-A1714001
17	17	59	36	17	F-A1717001
17	19	79	40	19	F-A1719001
19	14	79	30	14	F-A1914001
19	17	79	36	17	F-A1917001
19	19	79	40	19	F-A1919001
22	17	79	36	17	F-A2217001
22	19	79	40	19	F-A2219001
22	22	79	45	22	F-A2222001

### Blank-adapter

09	BA	59	20	-	F-A09BA001
11	BA	59	25	-	F-A11BA001
14	BA	59	30	-	F-A14BA001
17	BA	79	36	-	F-A17BA001
19	BA	79	36	-	F-A19BA001
22	BA	79	45	-	F-A22BA001
27	BA	79	55	-	F-A27BA001

Prices in the table are guidelines.

This option must be specified when ordering the product:

1. At the actuator side dimensions (SW and L2),
2. At the actuator side axis position (parallel or 45°),
3. Length L1 adapter
4. At the valves side connection (square or dihedron)
5. At the valves side dimensions (SW / dihedron-dimensions and L3)

### Order code

F- A       001

Square external:      

Square inboard:      

Quantity: 001