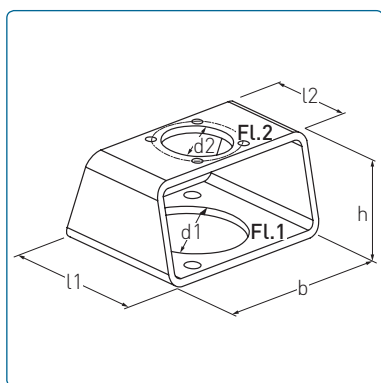
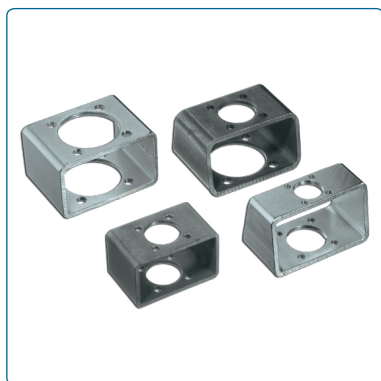


## Accessories Valves



Flange pattern in acc. with DIN ISO 5211:

Flange	∅ Bolt circle	∅ Bore
F03	36	25
F04	42	30
F05	50	35
F07	70	55
F10	102	70
F12	125	85
F14	140	100
F16	165	130
F25	254	200
F30	298	230

### Bracket

Bracket to connect actuators in accordance with DIN EN 15081

Bracket as connection between actuator and valve.  
to transmitting torque, complemented with suitable adapter.

We manufacture according to your specifications.

Flange pattern: F03 ... F30

Material: steel galvanized, stainless steel 1.4301

Height: 40 mm ... 200 mm

Flange pattern 1 (FL.1)	Flange pattern 2 (FL.2)	l1	l2	h	b × h × s	Steel galvanized	Stainless steel
F 04	F 03	45	40	50	80 × 50 × 4	F-BF04F03S	F-BF04F03E
F 05	F 04	50	45	60	100 × 60 × 5	F-BF05F04S	F-BF05F04E
F 05	F 03	50	40	60	100 × 60 × 5	F-BF05F03S	F-BF05F03E
F 07	F 05	70	50	60	100 × 60 × 5	F-BF07F05S	F-BF07F05E
F 07	F 04	70	45	60	100 × 60 × 5	F-BF07F04S	F-BF07F04E
F 07	F 03	70	40	60	100 × 60 × 5	F-BF07F03S	F-BF07F03E
F 10	F 07	95	70	80	120 × 80 × 5	F-BF10F07S	F-BF10F07E
F 10	F 05	95	50	80	120 × 80 × 5	F-BF10F05S	F-BF10F05E
F 10	F 04	95	45	80	120 × 80 × 5	F-BF10F04S	F-BF10F04E
F 12	F 10	115	95	80	160 × 80 × 6	F-BF12F10S	F-BF12F10E
F 12	F 07	115	70	80	160 × 80 × 6	F-BF12F07S	F-BF12F07E
F 12	F 05	115	50	80	160 × 80 × 6	F-BF12F05S	F-BF12F05E
F 14	F 12	135	115	80	160 × 80 × 6	F-BF14F12S	F-BF14F12E
F 14	F 10	135	95	80	160 × 80 × 6	F-BF14F10S	F-BF14F10E
F 14	F 07	135	70	80	160 × 80 × 6	F-BF14F07S	F-BF14F07E
F 14	F 05	135	50	80	160 × 80 × 6	F-BF14F05S	F-BF14F05E
F 16	F 14	160	135	100	200 × 100 × 6	F-BF16F14S	F-BF16F14E
F 16	F 12	160	115	100	200 × 100 × 6	F-BF16F12S	F-BF16F12E
F 16	F 10	160	95	100	200 × 100 × 6	F-BF16F10S	F-BF16F10E
F 25	F 16	270	160	200	400 × 200 × 10	F-BF25F16S	F-BF25F16E
F 25	F 14	270	135	200	400 × 200 × 10	F-BF25F14S	F-BF25F14E
F 25	F 12	270	115	200	400 × 200 × 10	F-BF25F12S	F-BF25F12E
F 30	F 25	320	270	200	400 × 200 × 10	F-BF30F25S	F-BF30F25E
F 30	F 16	320	160	200	400 × 200 × 10	F-BF30F16S	F-BF30F16E
F 30	F 14	320	135	200	400 × 200 × 10	F-BF30F14S	F-BF30F14E

double-sided identical Flange pattern

Flange pattern 1 (FL.1)	Flange pattern 2 (FL.2)	l1	l2	h	b × h × s	Steel galvanized	Stainless steel
F 03	F 03	40	40	50	80 × 50 × 4	F-BF03F03S	F-BF03F03E
F 04	F 04	45	45	50	100 × 60 × 5	F-BF04F04S	F-BF04F04E
F 05	F 05	50	50	60	100 × 60 × 5	F-BF05F05S	F-BF05F05E
F 07	F 07	70	70	60	100 × 60 × 5	F-BF07F07S	F-BF07F07E
F 10	F 10	95	95	80	100 × 60 × 5	F-BF10F10S	F-BF10F10E
F 12	F 12	115	115	80	100 × 60 × 5	F-BF12F12S	F-BF12F12E
F 14	F 14	135	135	80	120 × 80 × 5	F-BF14F14S	F-BF14F14E
F 16	F 16	160	160	100	120 × 80 × 5	F-BF16F16S	F-BF16F16E

### Order code

F - B F\_\_ F\_\_  
 Flange pattern 1: F\_\_  
 Flange pattern 2: F\_\_  
 Steel: S  
 Stainless steel: E